

BENTO

19-05-2015

1.3

m 8W | 220-240VAC | 50-60Hz | COB 2-step | incl. PS | phase-cut dim

Y IP20

i

P

H

3000K | >80CRI | 480lm
white texture
black texture

309274W4
309274B4

3.6

m 8W | 220-240VAC | 50-60Hz | COB 2-step | incl. PS | phase-cut dim

Y IP20

i

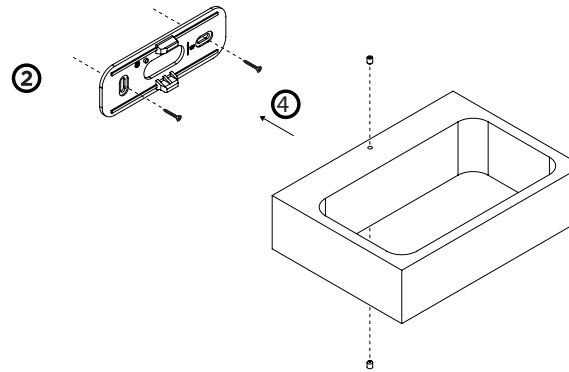
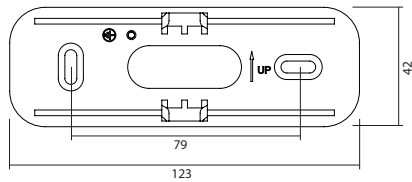
P

H

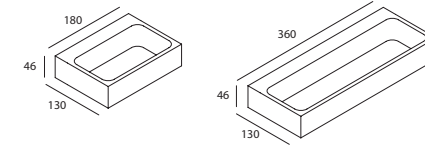
3000K | >80CRI | 480lm
white texture
black texture

309374W4
309374B4

back plate dimensions



DIMENSIONS



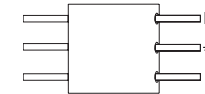
MOUNTING INSTRUCTION

- 1 Remove the lamp base
- 2 Fixate the back plate to the wall with screws.

POWER CONNECTION

- 3 Connect the power supply.

Interior: STANDARD version



- 4 fixate the lamp base back to the back plate.

Recuerde ajustar el tamaño de impresión del formato

Producto
Comercializado por:

High Lights

Bogotá - Medellín - Barranquilla - Cali
www.highlights.com.co