

SQUBE ON BASE 1.0

04-Feb.-2017

1.0 LED
LED 6W | 220-240VAC | 50-60Hz | COB 3-step | incl. PS | phase-cut dim
 CE \oplus IP20 \downarrow 0.3m \wedge 36° P E A K \updownarrow 90°

white texture 144264W
 black texture 144264B

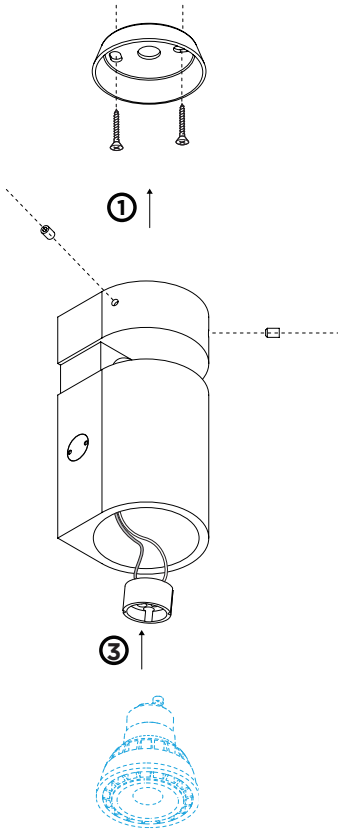
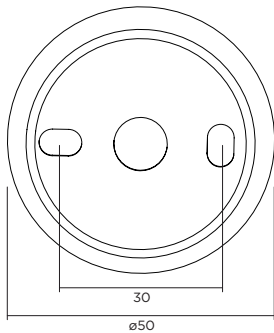
LIGHT COLOUR
 2700K | >80CRI | 350lm 2
 3000K | >80CRI | 380lm 4

1.0 PAR16
 PAR16 max. 35W | GU10 | 100-240VAC | 50-60Hz
 CE \oplus IP20 \downarrow 0.9m E A K \updownarrow 90°

white texture 144220W0
 black texture 144220B0

OPTIONAL
 for PAR16 lamps see our catalogue

base plate dimensions



DIMENSIONS

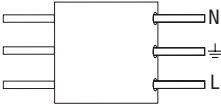


MOUNTING INSTRUCTION

- 1 Remove the screws, put the cables through the opening and mount the base on the ceiling.

POWER CONNECTION


- 2 Interior: connection: STANDARD version



Mount the fixture again with the screws on the base.

- 3 For PAR16: mount the lamp.

The light source of the integrated LED is not replaceable;
 When the light source reaches its end of life the whole luminaire shall be replaced.

 Caution, risk of electric shock